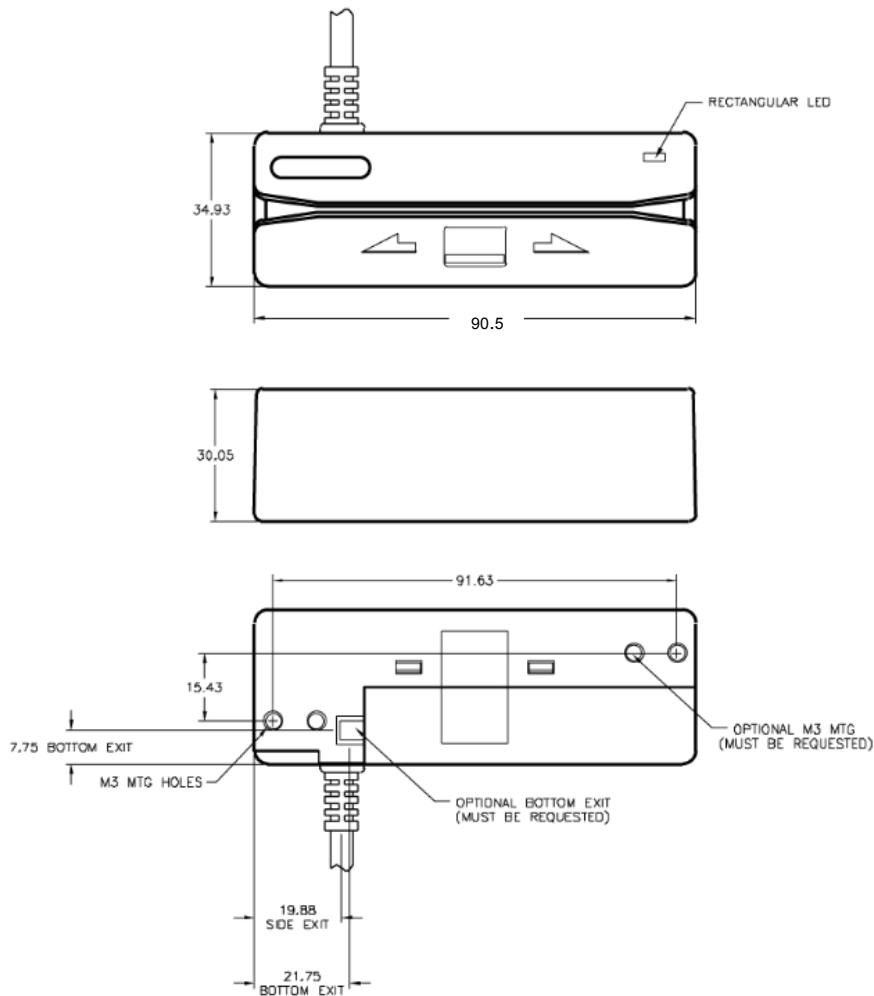




ZM-800ST Magnetic Stripe Reader

Standard Version



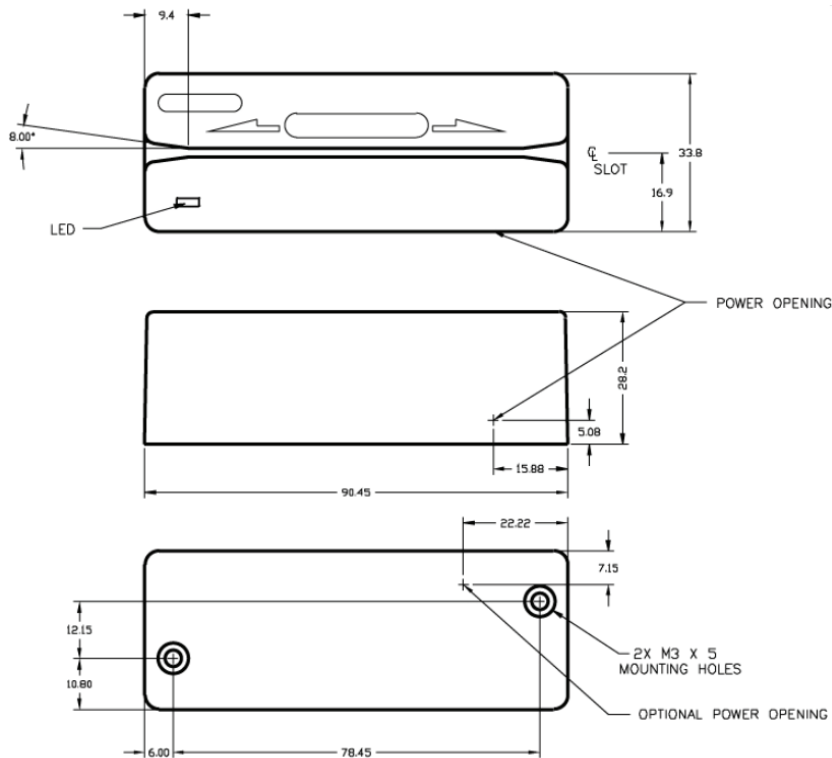
Product Number

Barcode	P/N	Model No.	Remark
	889-08STKP-000	ZM-800ST(K)	Magnetic stripe reader w/PS/2 cable
	889-08STKP-001	ZM-800ST(K)(B)	Magnetic stripe reader in black housing w/PS/2 cable
	889-08STRP-000	ZM-800ST(R)	Magnetic stripe reader w/RS232 cable
	889-08STRP-001	ZM-800ST(R)(B)	Magnetic stripe reader in black housing w/RS232 cable
	889-08STUB-000	ZM-800ST(U)	Magnetic stripe reader w/USB cable
	889-08STUB-001	ZM-800ST(U)(B)	Magnetic stripe reader in black housing w/USB cable



ZM-800EC Magnetic Stripe Reader

Economic Version




Product Number


Barcode	P/N	Model No.	Remark
	889-08ECKP-000	ZM-800EC(K)	Magnetic stripe reader w/PS/2 cable
	889-08ECKP-001	ZM-800EC(K)(B)	Magnetic stripe reader in black housing w/PS/2 cable
	889-08ECRP-000	ZM-800EC(R)	Magnetic stripe reader w/RS232 cable
	889-08ECRP-001	ZM-800EC(R)(B)	Magnetic stripe reader in black housing w/RS232 cable
	889-08ECUB-000	ZM-800EC(U)	Magnetic stripe reader w/USB cable
	889-08ECUB-001	ZM-800EC(U)(B)	Magnetic stripe reader in black housing w/USB cable

Standard Cable Option

RS-232 Cable for ZM-800

Item Part No: 83A-0ZM8000-000	
PIN	FUNCTION
1	
2	TX
3	RX
4	
5	GND
6	
7	CTS
8	RTS
9	+5V
	

Power Adapter

Barcode	P/N	Item Name	Remark
	83A-ZM8000-001	Power adapter	Adapter for ZM-800