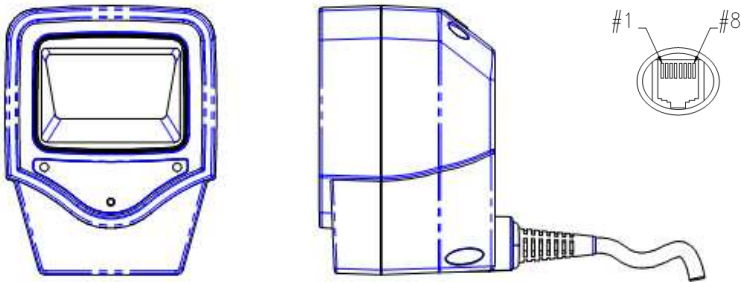


[Buyer's Guide]



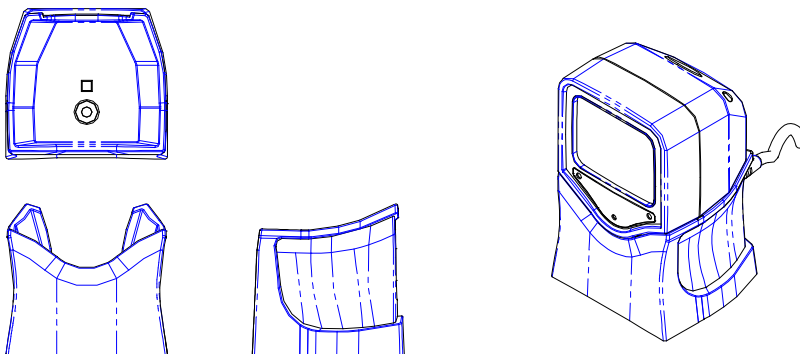
Insight Z-6112 Series Hands-Free 2D Image Reader

Standard Device



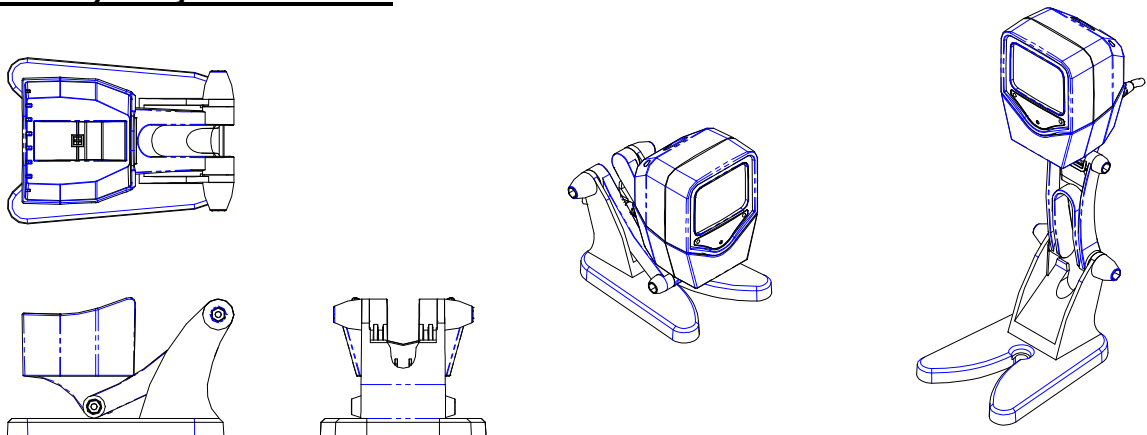
PIN-OUT CONFIGURATION	
PIN	FUNCTION
1	DC +5V Input
2	USB_D-
3	RS-232_RTS
4	Ground
5	RS-232_TXD
6	RS-232_RXD
7	USB_D+
8	RS-232_CTS

Standard Accessory – Fixed Stand



Barcode	Model	Part No.	Remark
	Fixed Stand	886-10HL00-001	IBM Black Color

Optional Accessory – Adjustable Stand







Barcode	Model	Part No.	Remark
	Adjustable Stand	886-10AH00-001	IBM Black Color

[Buyer's Guide]





Product Number

(Fixed stand included for standard product)





Z-6112SR (Standard Version)

Barcode	P/N	Model Name	Remark
	88F-12SRRP-000	Z-6112SR (R)	White housing w/RS-232 cable (DTE pin-out)
	88F-12SRRP-001	Z-6112SR (R)(B)	Black housing w/RS-232 cable (DTE pin-out)
	88F-12SRUB-000	Z-6112SR (U)	White housing w/USB cable
	88F-12SRUB-001	Z-6112SR (U)(B)	Black housing w/USB cable

Z-6112HD (High Density Version)

Barcode	P/N	Model Name	Remark
	88F-12HDRP-000	Z-6112HD (R)	White housing w/RS-232 cable (DTE pin-out)
	88F-12HDRP-001	Z-6112HD (R)(B)	Black housing w/RS-232 cable (DTE pin-out)
	88F-12HDUB-000	Z-6112HD (U)	White housing w/USB cable
	88F-12HDUB-001	Z-6112HD (U)(B)	Black housing w/USB cable

Z-6112DL (Driver's License Optimized)

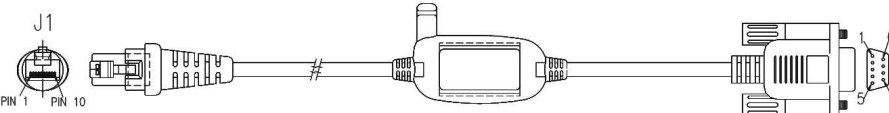

Barcode	P/N	Model Name	Remark
	88F-12DLRP-000	Z-6112DL (R)	White housing w/RS-232 cable (DTE pin-out)
	88F-12DLRP-001	Z-6112DL (R)(B)	Black housing w/RS-232 cable (DTE pin-out)
	88F-12DLUB-000	Z-6112DL (U)	White housing w/USB cable
	88F-12DLUB-001	Z-6112DL (U)(B)	Black housing w/USB cable

[Buyer's Guide]

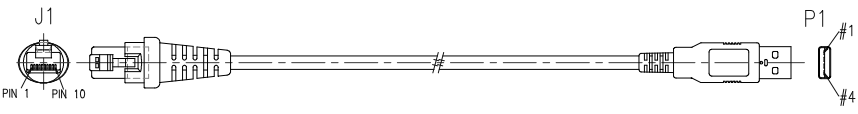

Standard Cable Options

- The standard cable is gray, straight, and 2 meters (6.5 feet) in length.
- The standard cable options include RS-232 and USB.
- Special Order Requirement:
ZEBEX is capable of supplying special customized cable, given that customers provide detailed pin configurations. The minimum order quantity of a special cable is 250 pcs.

1. RS-232C Cable

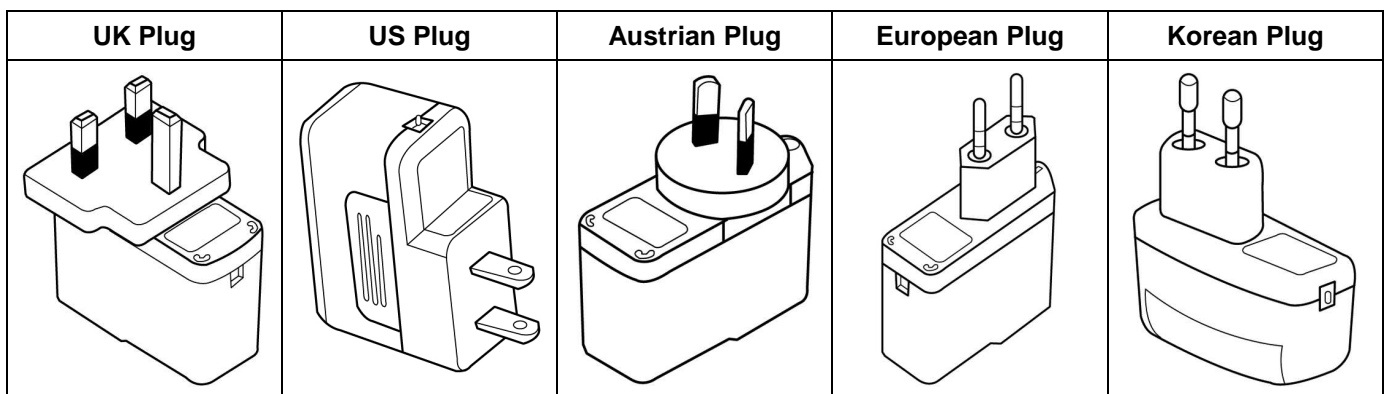
DTE PINOUT		PIN-OUT CONFIGURATION	
		DB-9 (F)	FUNCTION
		2	TX
		3	RX
		7	CTS
		8	RTS
		5	GND
		9	+5V
Item Part No.	171-42R445-200		

2. USB Cable

		USB TYPE A CONNECTOR	FUNCTION
			
2.	D-		
3.	D+		
4.	VSS		
Item Part No.	171-42U300-200		

Power Adapter

Insight normally requires 280mA at 5 VDC power and consumes power from the host machine. If the host can not supply sufficient power, ZEBEX provides adapters of the following plug types:



* The figures are for reference only. The adaptor form factor is subject to change without prior notice.